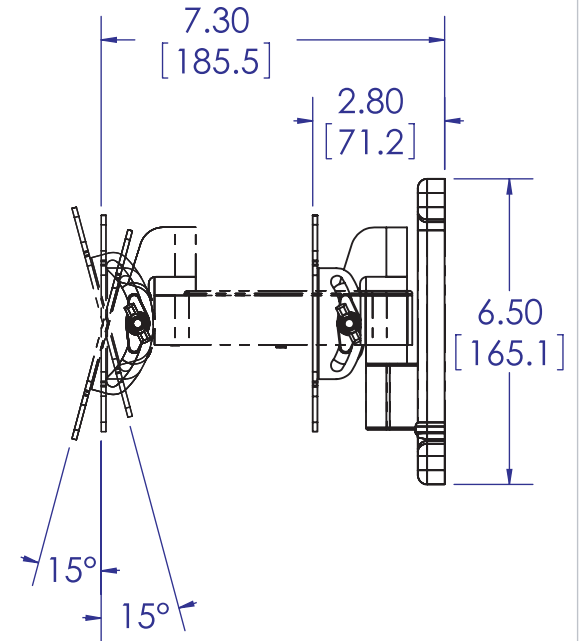
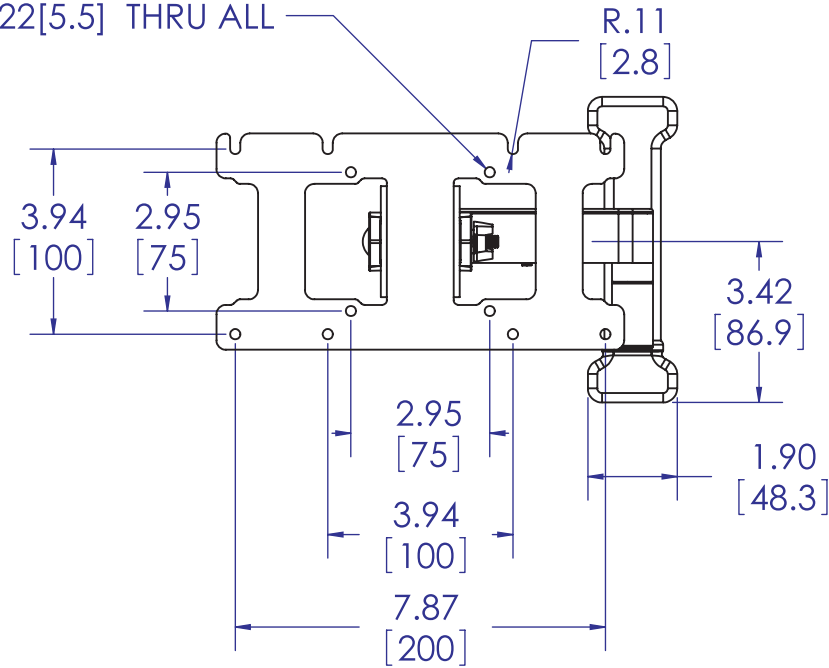


8X  $\phi$  .22[5.5] THRU ALL



in [mm]

**PROPRIETARY AND CONFIDENTIAL**  
 THE INFORMATION CONTAINED IN THIS DRAWING IS THE SOLE PROPERTY OF SANUS SYSTEMS, A PRODUCT DIVISION OF MILESTONE AV TECHNOLOGIES. ANY REPRODUCTION IN PART OR AS A WHOLE WITHOUT THE WRITTEN PERMISSION OF SANUS SYSTEMS IS PROHIBITED.

ENGINEER	JAS	DATE	9/10/08
DESIGNER	RAH		9/10/08
APPROVED	JAS		9/10/08
NOTES			

**VUEPOINT™**

DESCRIPTION :  
 F107 VESA 200 MOUNT ASSY

TEMPLATE REV 06

SCALE 1:4

SHEET 1 OF 1

SIZE **A** DWG. NO.

F107

REV 00